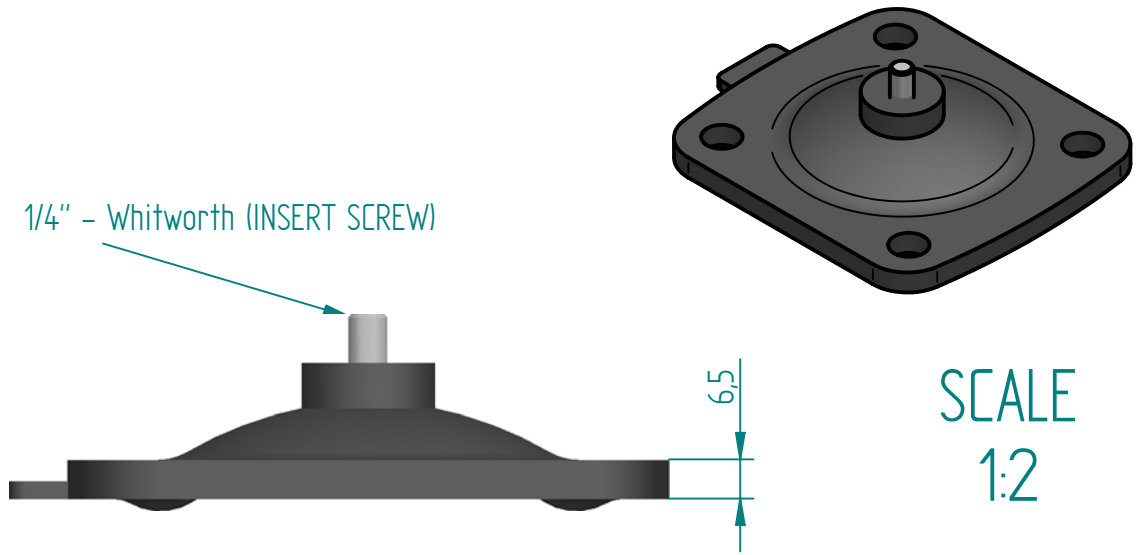
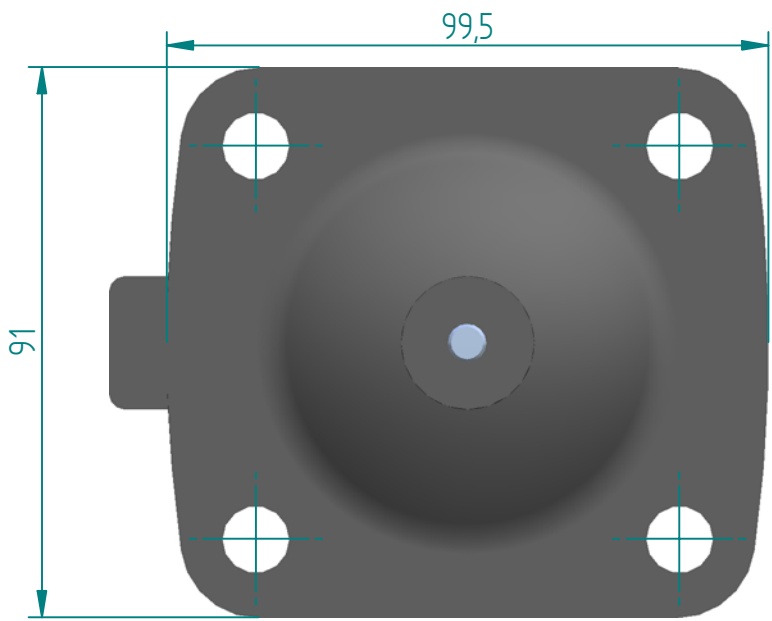
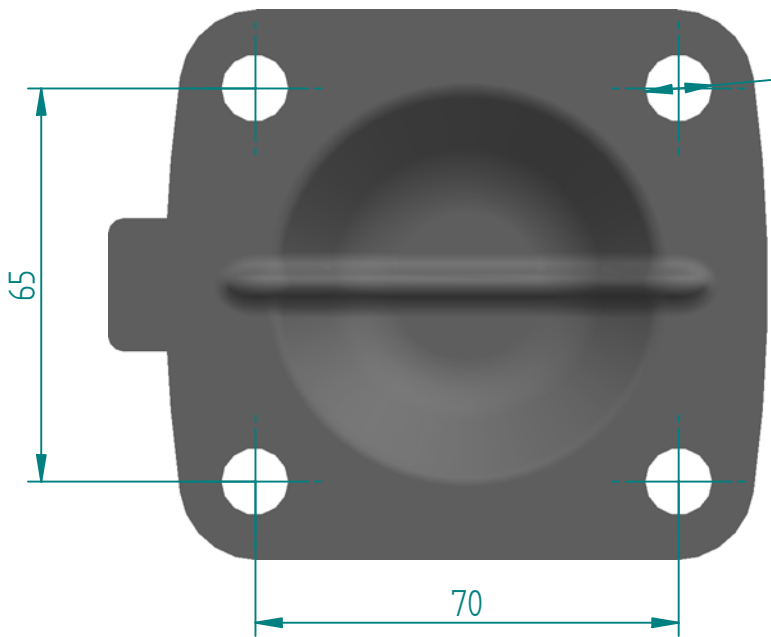


REVISION HISTORY			
REV	DESCRIPTION	DATE	APPROVED



SCALE  
1:2



$\phi$  11 (4 Holes)

**Replacement Diaphragm for :-**  
 Grade : FPM/FKM - FDA  
 USED ON 1.5" (DN40) Diaphragm Valve

	NAME	DATE
DRAWN	M.MC KEON	01/21/15
CHECKED		



**Material - FPM/FKM**

TITLE  
**DD15-SFPM**

FDA Compliance :  
21 CFR 177.2600

SIZE A	<b>FOOT PRINT DIMENSIONS</b>	REV B
-----------	------------------------------	----------

FILE NAME: DD15-SFPM.dft

SCALE: 1:125	ECC:0605	SHEET 1 OF 1
--------------	----------	--------------

Disclaimer - Diaphragm Direct® does not manufacture, represent, nor sell OEM valves or diaphragms manufactured by any other company. Diaphragm Direct® brand diaphragms are not sponsored by any other manufacturers. Any name, model, part number, brand, image, material or referral is for descriptive purposes only. Diaphragm Direct® brand replacement diaphragms are guaranteed to fit OEM equipment and meet or exceed OEM specifications. Diaphragm Direct® brand replacement diaphragms are covered by the standard Diaphragm Direct® limited product warranty.